

Xtralis Integrated Security and Access Control S3100

IP-based Security Panel

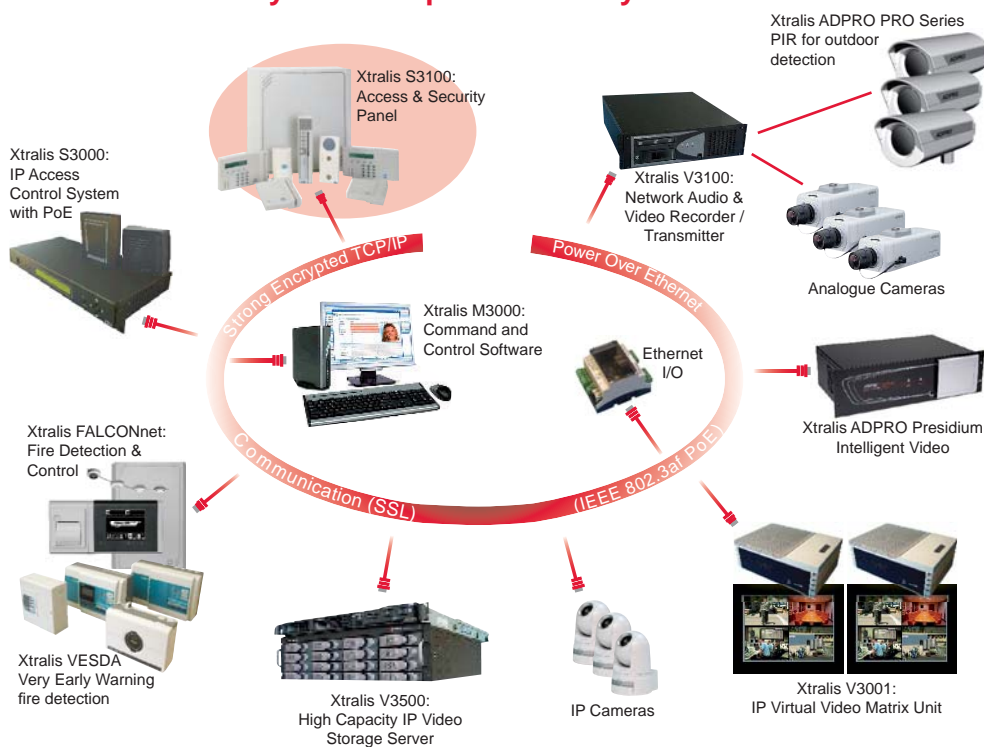
Multi application panel for intruder detection and access control

Concept

- IP-based multi-application security panel integrating:
 - Access Control
 - Intruder Detection
 - Technical Control
 - Bank Security
- Total and modular security solution for single and multi-site organisations.

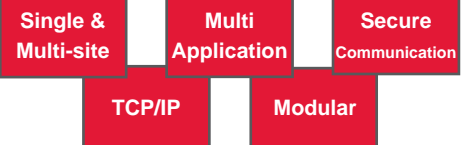


Xtralis Security Solution product family



Key Benefits

- Full integration of intruder detection and access control within the same control panel
- Interconnection: link several S3100 panels through your IP-network and build any size of installation
- Ultra fast and secure communication over existing IP-networks (100 Mb)
- Full integration with digital video recorder and transmitter
- Bi-directional communication to management software over TCP/IP, ISDN, PSTN
- Primary and secondary communication: SIA over IP, VdS 2465, ...

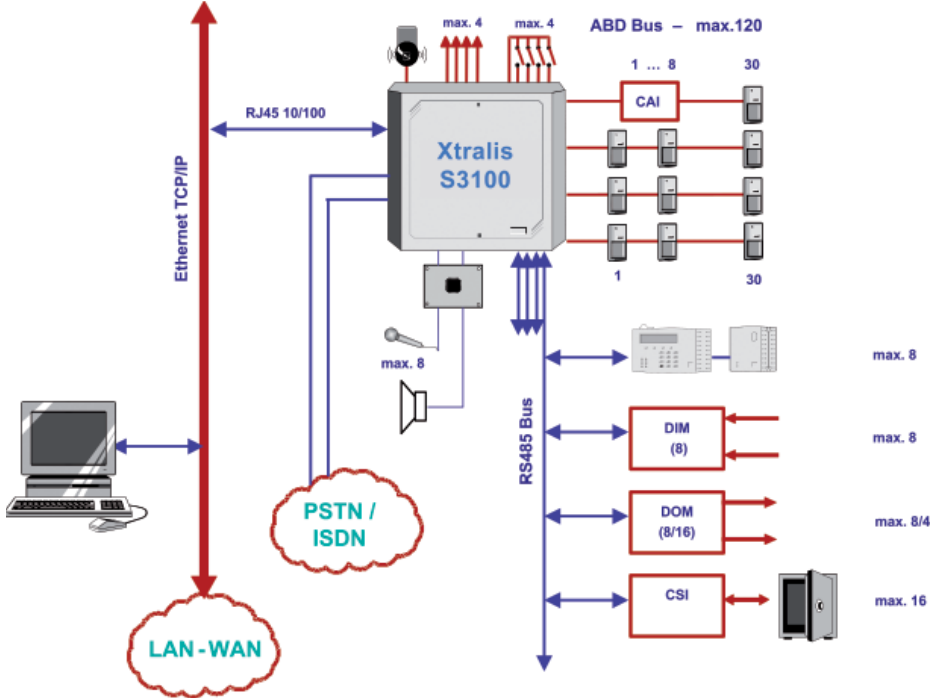


SECURITY SOLUTIONS

Xtralis Integrated Security and Access Control S3100

IP-based Security Panel

Configuration



Specifications

Intruder detection	Up to 120 detection points per S3100 panel Up to 32 zones per panel with possibility to create common zones Perfect for retrofits
Access Control	Up to 30,000 badges, 8 doors per S3100 panel Advanced features including anti-pass back, interlock and interaction with Intruder Detection Support for different types of card readers Programmable logical functions
Bank Security	Advanced bank security features for bank safe management, interlock, ATM access, auto-test procedures
Interconnection	Up to 8 S3100 panels can be interconnected over an IP network, behaving as 1 system Scale your system: up to 960 detection points, 64 doors, 64 safes, 512 inputs and outputs
General	Ethernet interface 10/100 Mb - embedded TCP/IP Very user-friendly configuration through FCU (S3100 Configuration Utility) External communications through native IP, ISDN or PSTN Up to 10,000 S3100 panels can communicate with Xtralis Management Software Primary and backup encrypted communication Very flexible wiring principles : choice between bus, star or combination of both Perfect integration with Xtralis Security Solutions V3100 Network Video and Audio Recorder / Transmitter over IP network for alarm verification, access control verification and triggered alarm recording Watch-Dog function permanently Power Supply: 220 VAC – 60 W



Support for different types of card readers

www.xtralis.com

The Americas +1 781 740 2223 Asia +852 2916 9976 Australia and New Zealand +61 3 9936 7000
Continental Europe +32 56 24 1951 UK and the Middle East +44 1442 242 330

The contents of this document are provided on an "as is" basis. No representation or warranty (either express or implied) is made as to the completeness, accuracy or reliability of the contents of this document. The manufacturer reserves the right to change designs or specifications without obligation and without further notice. Except as otherwise provided, all warranties, express or implied, including without limitation any implied warranties of merchantability and fitness for a particular purpose are expressly excluded.
This document includes registered and unregistered trademarks. All trademarks displayed are the trademarks of their respective owners. Your use of this document does not constitute or create a licence or any other right to use the name and/or trademark and/or label.
This document is subject to copyright owned by Xtralis AG ("Xtralis"). You agree not to copy, communicate to the public, adapt, distribute, transfer, sell, modify or publish any contents of this document without the express prior written consent of Xtralis.
Doc. no. 14541_02



SECURITY SOLUTIONS